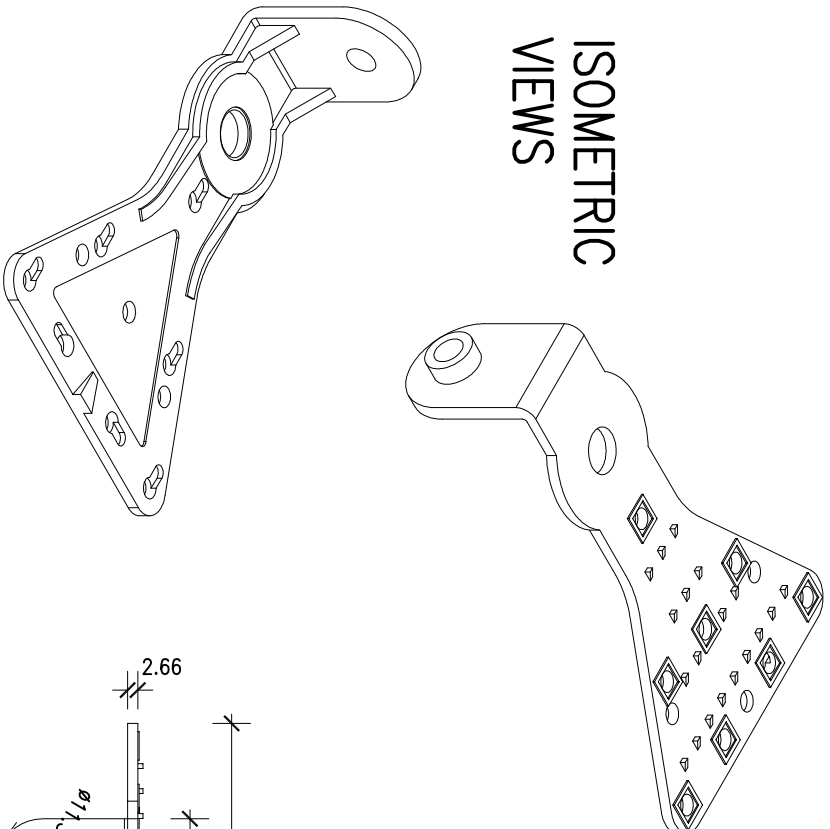


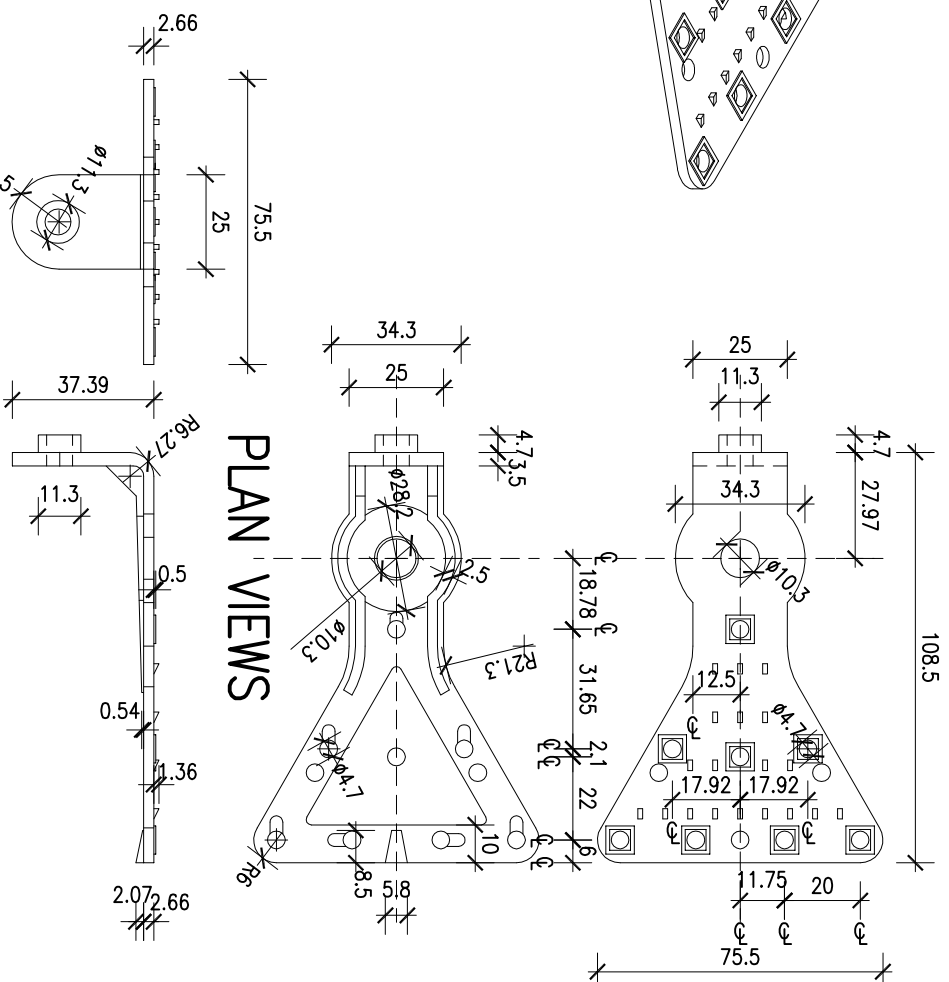
ISOMETRIC VIEWS



TOP MOUNTING CLIP 1:2

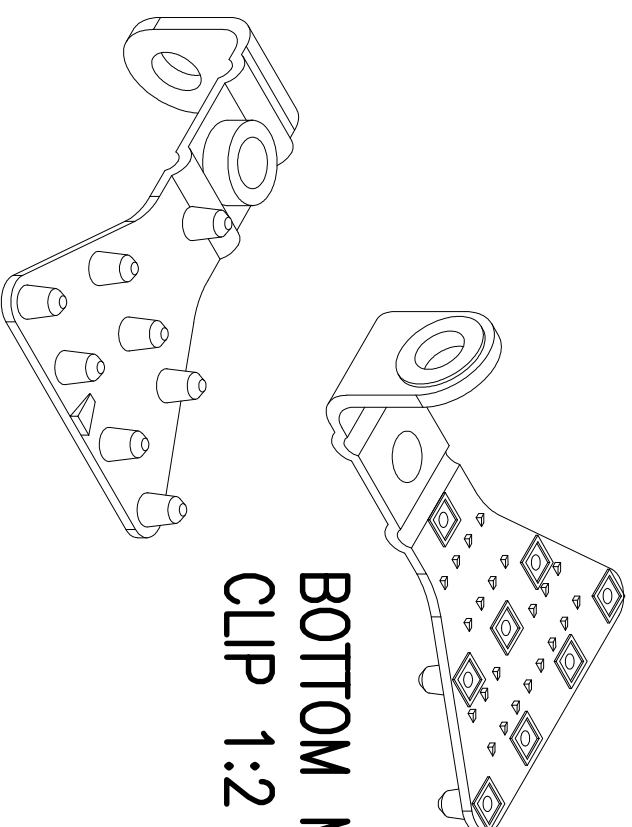
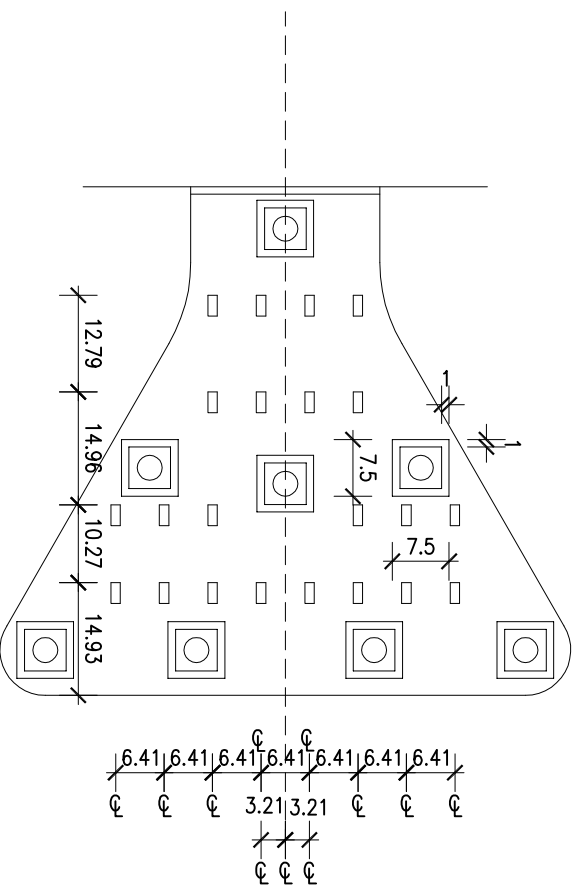
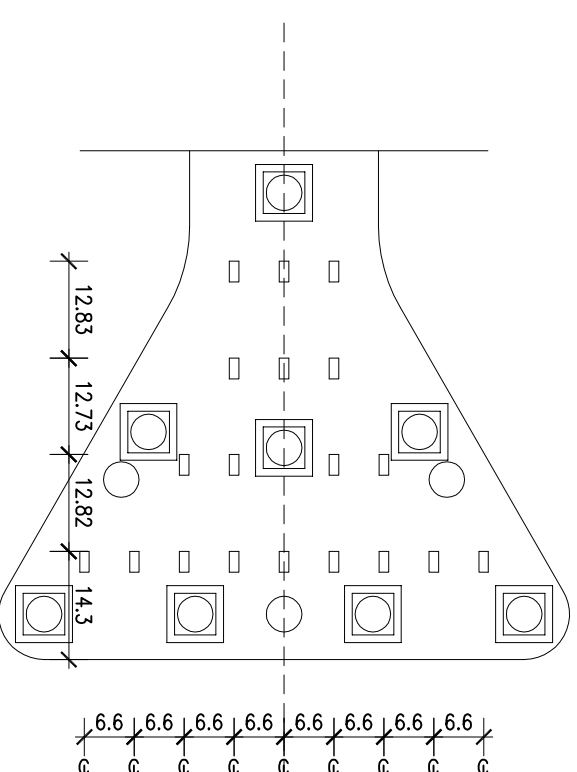
END VIEW

SIDE VIEW



PLAN VIEWS

FABRIC PRESSURE RETAINING LUG POSITIONS TOP MOUNTING CLIP 1:1

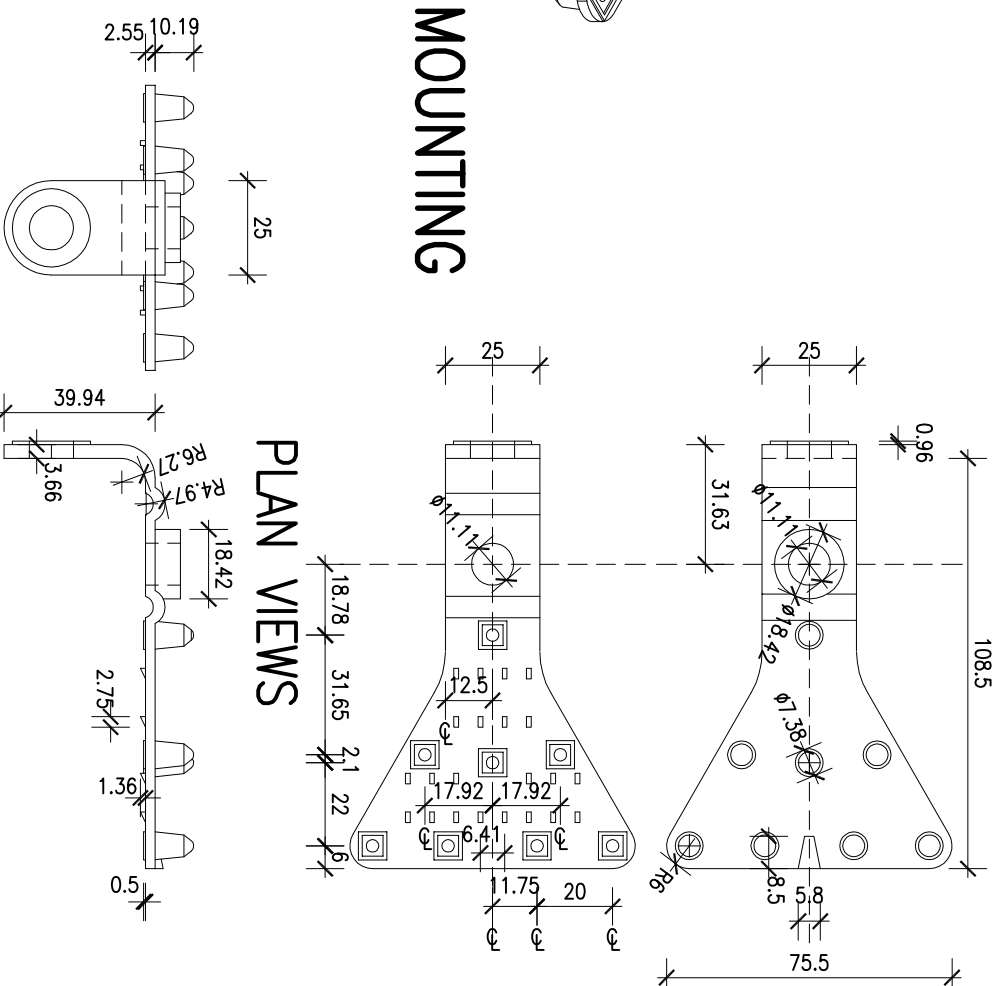


BOTTOM MOUNTING CLIP 1:2

ISOMETRIC VIEWS

END VIEW

SIDE VIEW



PLAN VIEWS

Davies Design & Drafting Service

B.S.A Number 20877
76 Velvers Road Palm Cove 4879
Phone 40592155 Fax 40592155 Mobile 0408774457
E-mail ross@daviesdesign.com.au

CERTIFIED AS STRUCTURALLY ADEQUATE



BRUCE & ASSOCIATES CONSULTING
CIVIL & STRUCTURAL ENGINEERS
20 Scott St, Cairns
PO Box 927, Cairns Q. 4870

Date: _____
Job No: _____

Signed: _____
RPEQ No: _____

CLIENT:- CYCLONE PROTECTION AUSTRALIA

PROJECT:- ASTROGUARD TECHNICAL SPECIFICATION

Copyright ©
Any distribution or copying without the permission of Davies Design & Drafting Services is unauthorised.

DRAWN:- ROSS DAVIES
BILL DER:-

DRAWING No:-
000 CPA

DATE

DETAILS

DATE:- JAN 2015

ISSUE No:-
2-2

A

A